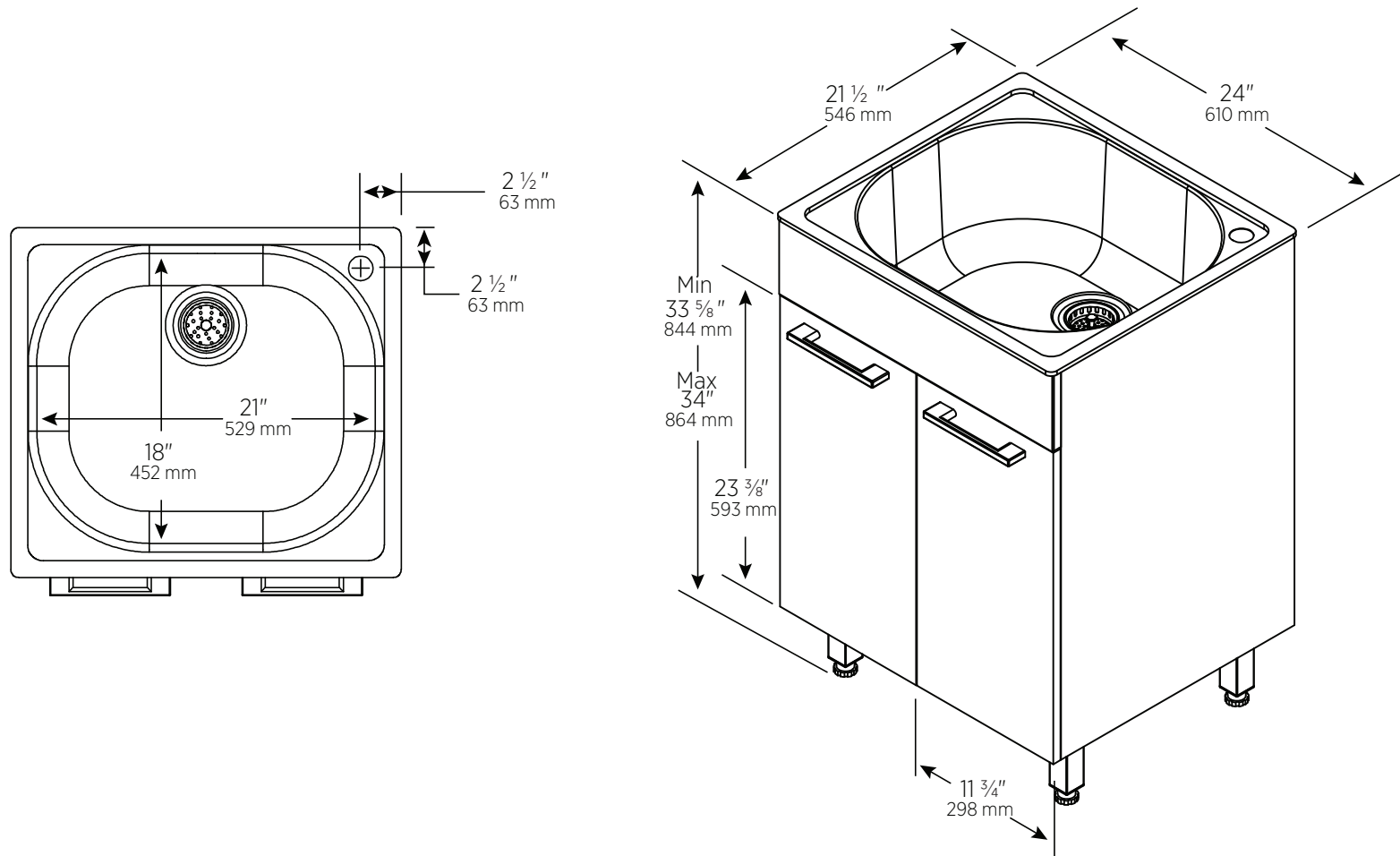


APPROXIMATE DIMENSIONS | DIMENSIONS APPROXIMATIVES



APPROXIMATE DIMENSIONS | DIMENSIONS APPROXIMATIVES